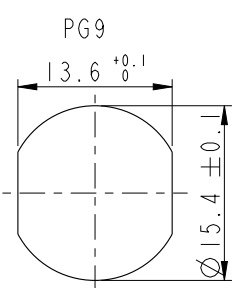
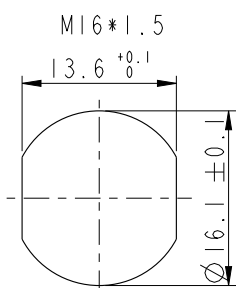


THIS DOCUMENT IS SUBJECT TO CHANGE WITHOUT NOTICE. IT IS CONFIDENTIAL AND A PROPERTY OF Amphenol LTW. DISCLOSURE TO THIRD PARTY HAS TO BE AUTHORIZED BY Amphenol LTW.

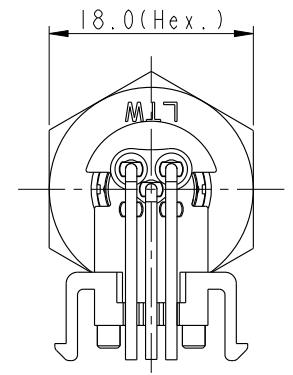
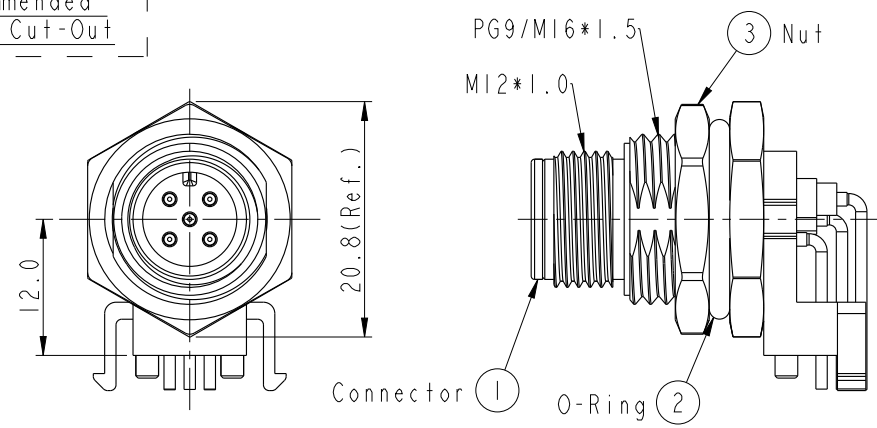
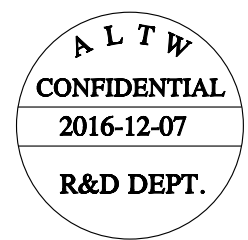
REV.	ECN NO.	DATE	SIGN	DESCRIPTION



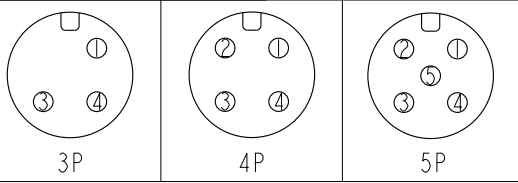
Recommended Panel Cut-Out



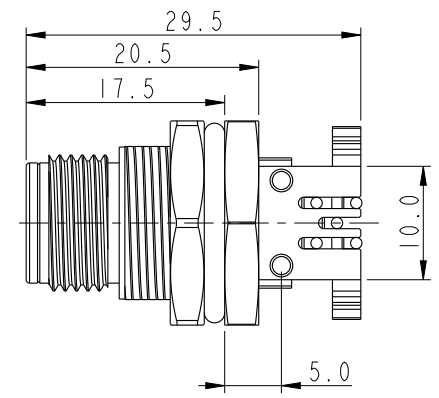
Recommended Panel Cut-Out



M12A-03PMMR-SF8002
M12A-04PMMR-SF8002
M12A-05PMMR-SF8002
M12A-03PMMR-SF8001
M12A-04PMMR-SF8001
M12A-05PMMR-SF8001
Item No.



Pin Assignment Front View



Note:

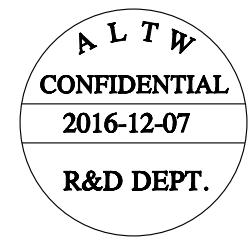
- \* (CC) Important Dimension To Check.
- \* Waterproof Rate: IP68  
IP68: 1M Depth Of Water In 24hours
- \* Connector: Nylon+GF, Black
- \* Male Pin: Copper Alloy, Gold Plated
- \* Shell: Zinc Alloy, Nickel Plated.
- \* Nut: Zinc Alloy, Nickel Plated.
- \* O-ring: Silicon, Black.
- \* Boardlock: PBT+PC, Black.
- \* Rated Voltage: 3 & 4Pin 250V dc. or ac.  
5Pin 60V dc. or ac.
- \* Rated Current: 3~5Pin 4A
- \* For Panel Thickness Max. 4.5mm
- \* For PCB Thickness Max. 1.6mm

UNIT: mm		TITLE M12 90° PANEL MCONN MPIN
TOLERANCE .X ±0.25 .XX ±0.1 .XXX ±0.05 ANGLES ±1°	SCALE 3:2	SIZE A4
	REV. A	SHEET 1 OF 2
	WC-REV. A.1	CC: Inspection item

**Amphenol LTW**  
安費諾亮泰企業股份有限公司

ITEM NO.	DRAWN BY Yulong_wang	DATE 2016-12-07
DWG NO. M12A-XXPMMR-SF8XXX	CHECKED BY Jinhai	DATE 2016-12-07
CUSTOMER ALTW	APPROVED BY Jerry	DATE 2016-12-07

THIS DOCUMENT IS SUBJECT TO CHANGE WITHOUT NOTICE. IT IS CONFIDENTIAL AND A PROPERTY OF Amphenol LTW. DISCLOSURE TO THIRD PARTY HAS TO BE AUTHORIZED BY Amphenol LTW.



M 12A - XX P M M R - S F 8 XXX

12A: A-Code

03: 3Pin  
04: 4Pin  
05: 5Pin

P: Panel (板端)

M: Male Connector (公座)

001: PG9  
002: M16\*1.5

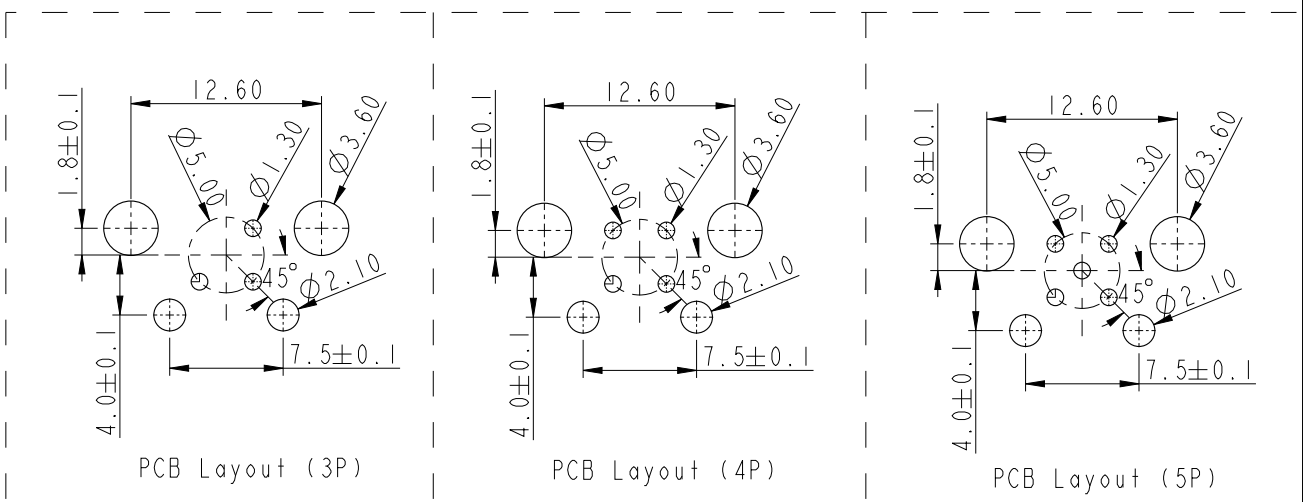
8: IP68 (防水等級68)

F: Front Fasten (前鎖式/Enclosure Rear Mount)

S: Screw (螺紋式)

R: 90° PCB THT/DIP Type (90° 基板插件式)

M: Male Pin (公Pin)



UNIT: mm	
TOLERANCE	
.X	±0.25
.XX	±0.1
.XXX	±0.05
ANGLES	±1°

TITLE MI2 90° PANEL MCONN MPIN			
SCALE 3:2	SIZE A4	SHEET 2 OF 2	
REV. A	WC-REV. A.1	☉: Inspection item	

**Amphenol LTW**  
安費諾亮泰企業股份有限公司

ITEM NO	DRAWN BY Yulong_wang	DATE 2016-12-07
DWG NO M12A-XXPMMR-SF8XXX	CHECKED BY Jinhai	DATE 2016-12-07
CUSTOMER ALTW	APPROVED BY Jerry	DATE 2016-12-07

DATE 2016-12-07
DATE 2016-12-07
DATE 2016-12-07

# Mouser Electronics

Authorized Distributor

Click to View Pricing, Inventory, Delivery & Lifecycle Information:

[Amphenol:](#)

[M12A-05PMMR-SF8002](#) [M12A-03PMMR-SF8001](#)